




CJ11.24045C

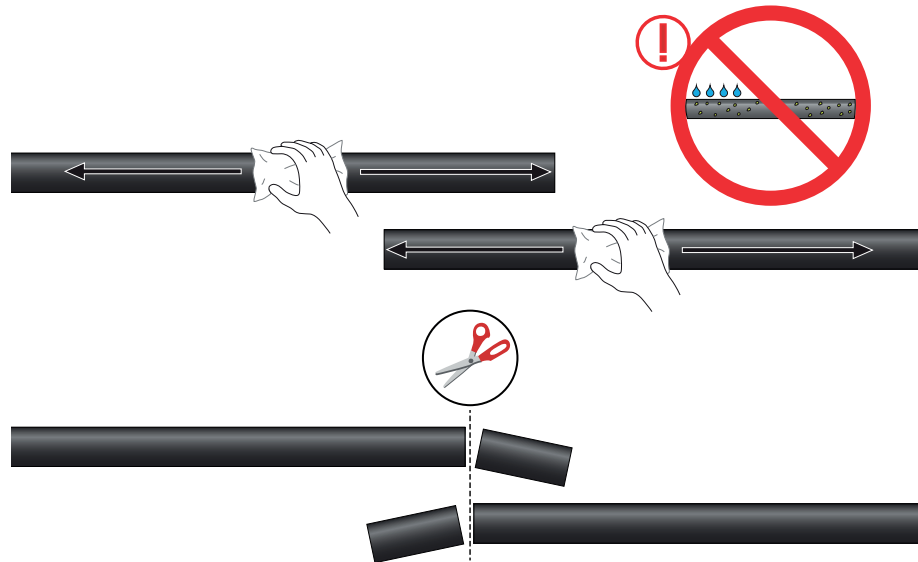
$U_o/U (U_m)$ kV	 mm ²
12.7/22 (24) kV	185-400
6.35/11 (12) kV	240-400



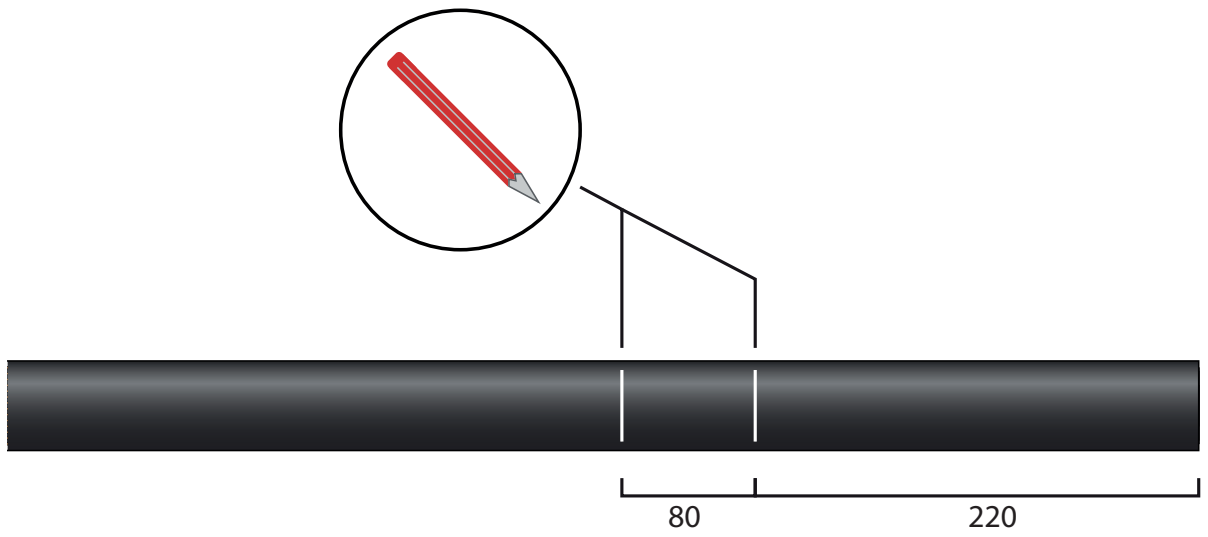
\varnothing : 25.3 ... 50.0 mm

	CRET30.37/720-80L-SIL		1		PA23		1
	CSJH22-55/450-65L		1		PEE64.1	600 mm	1
	CA400SB4		1		PEE64	150 mm	1
	PEE257	850 mm	1		PEE225W		1
	SF4		2		PEM-CJ11_24045C		1
	ALT75/190		2				
	SACTA20.2		2				
	SSATA10		2				
	SMG200	2 x 100 mm	3				
	MPA21 RFL15		1 1				
	CT149		2				

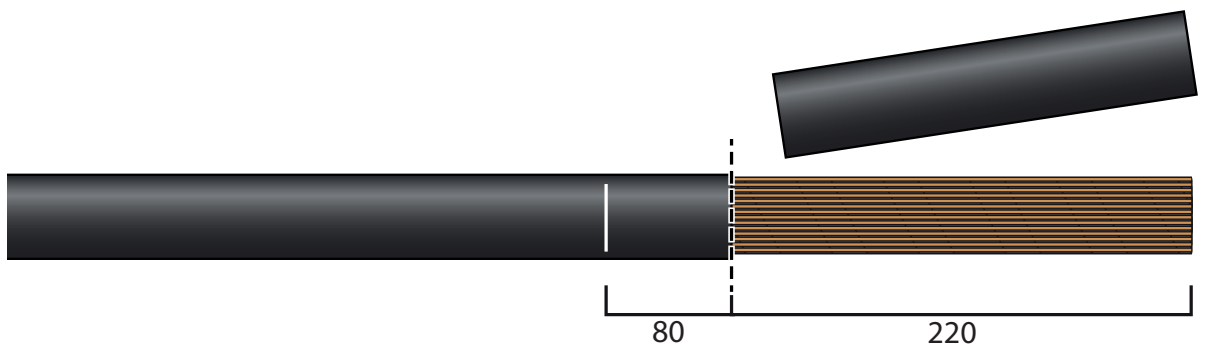
1



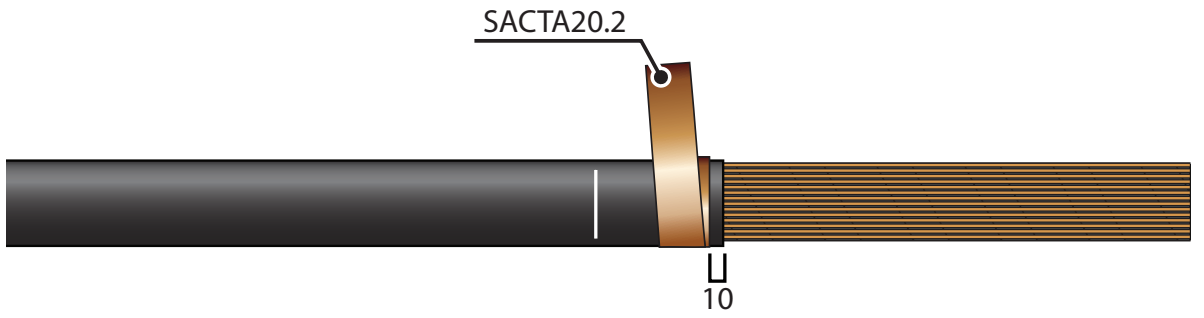
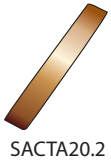
2



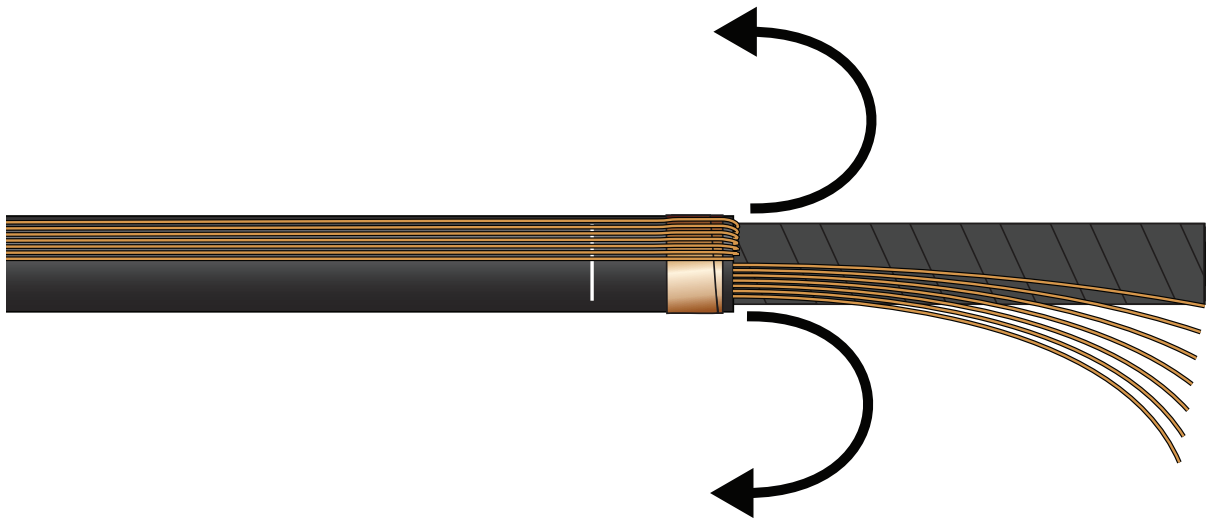
3



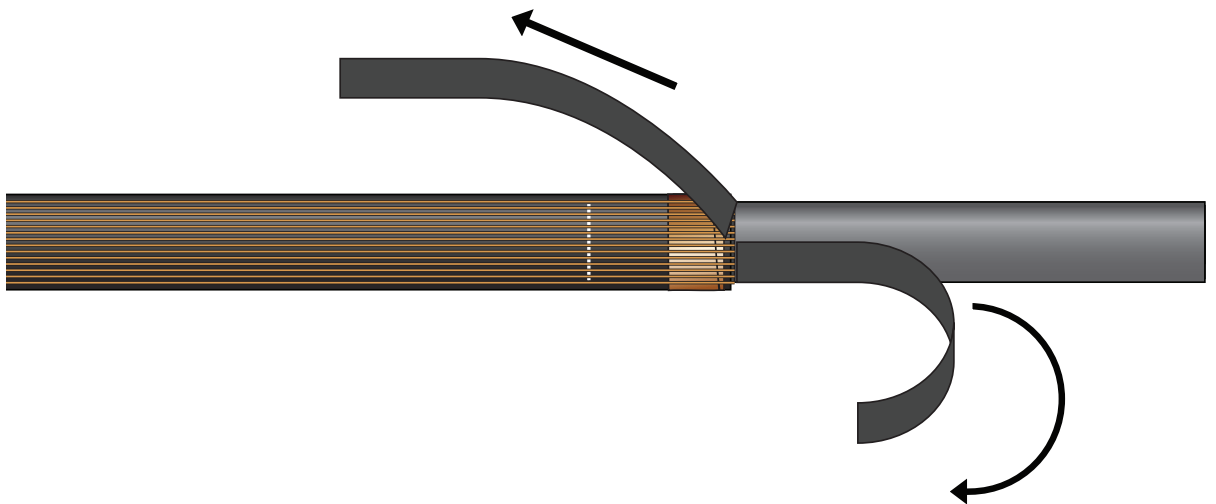
4



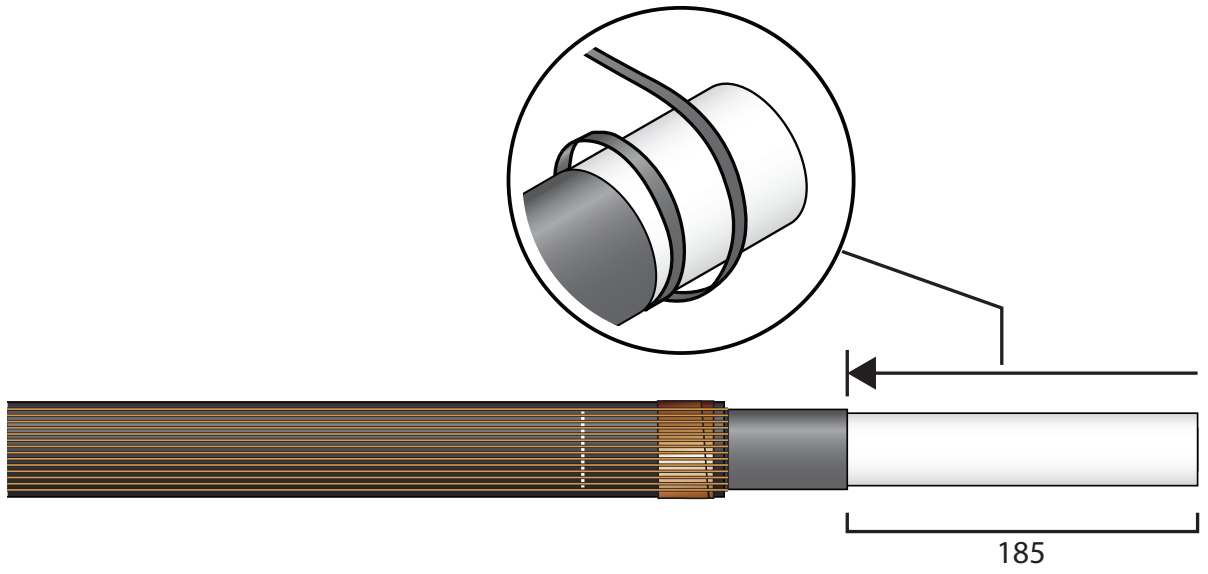
5



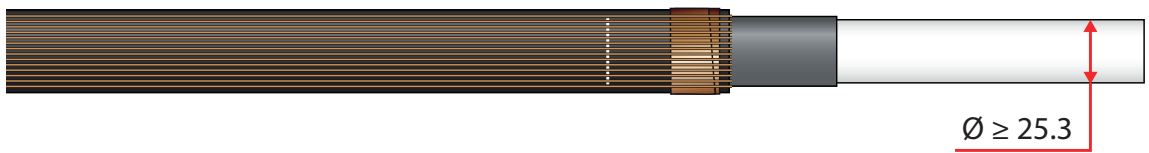
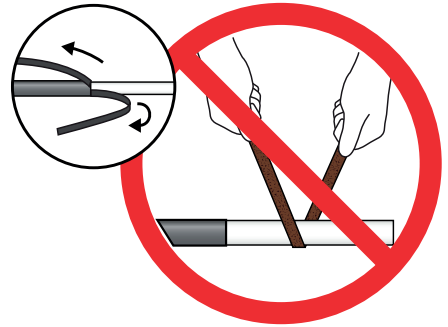
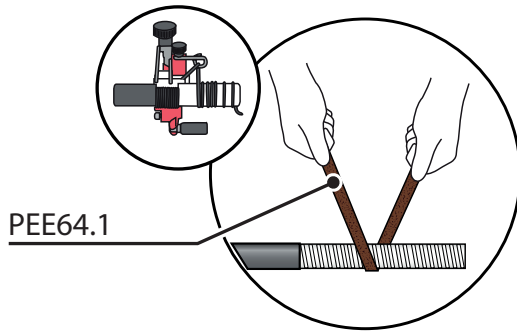
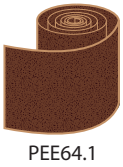
6



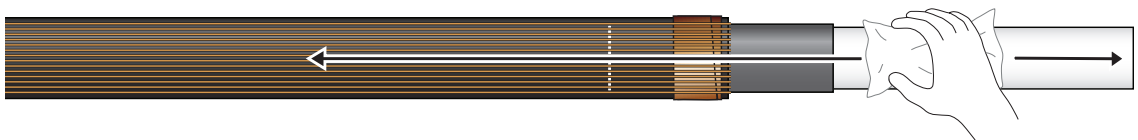
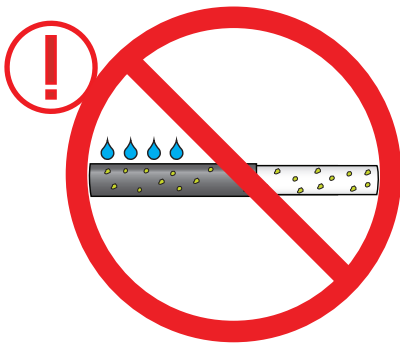
7



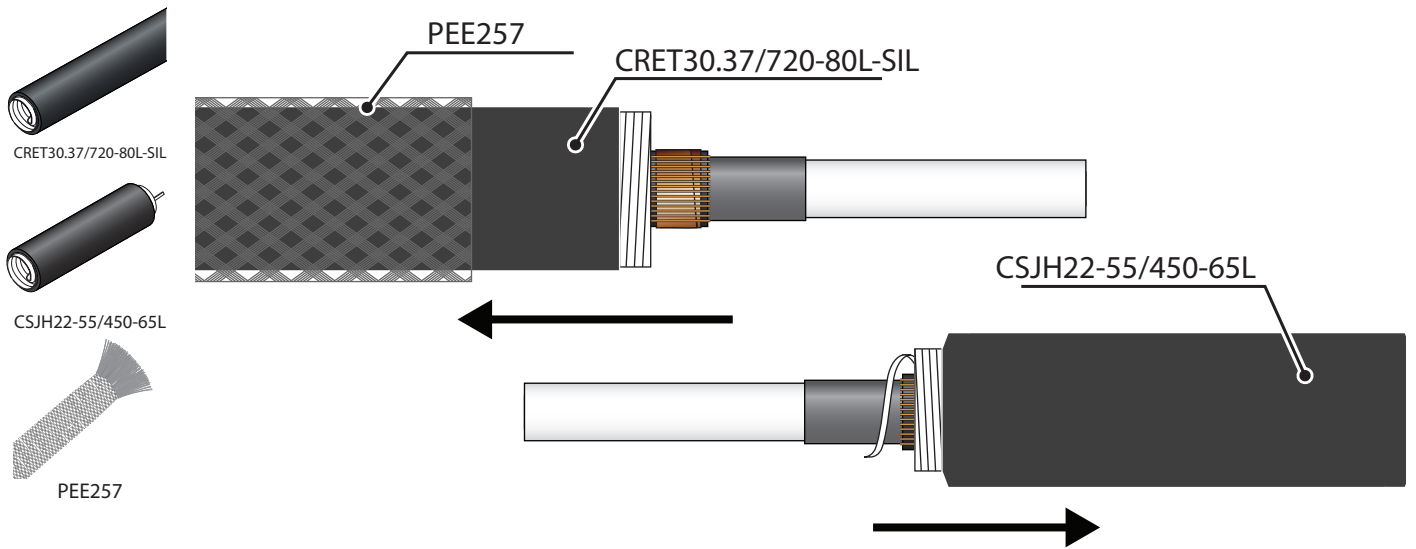
8



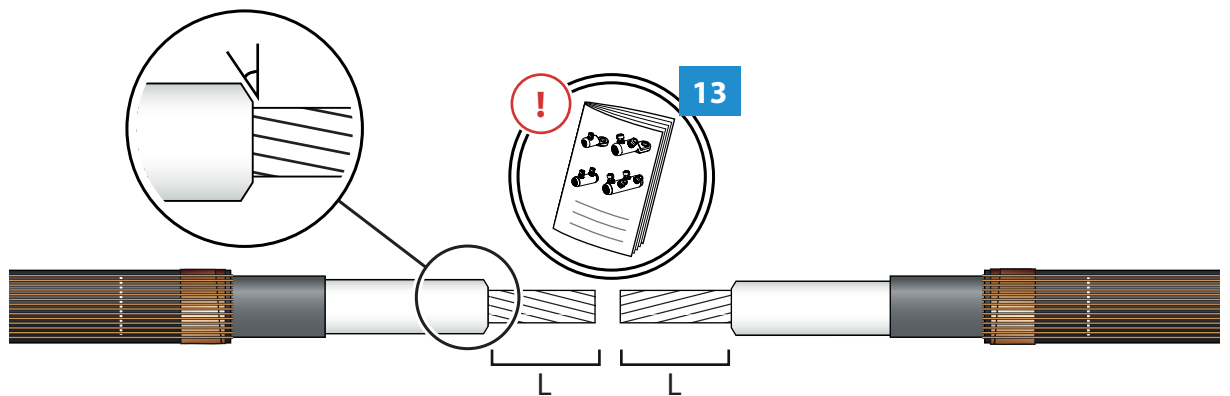
9



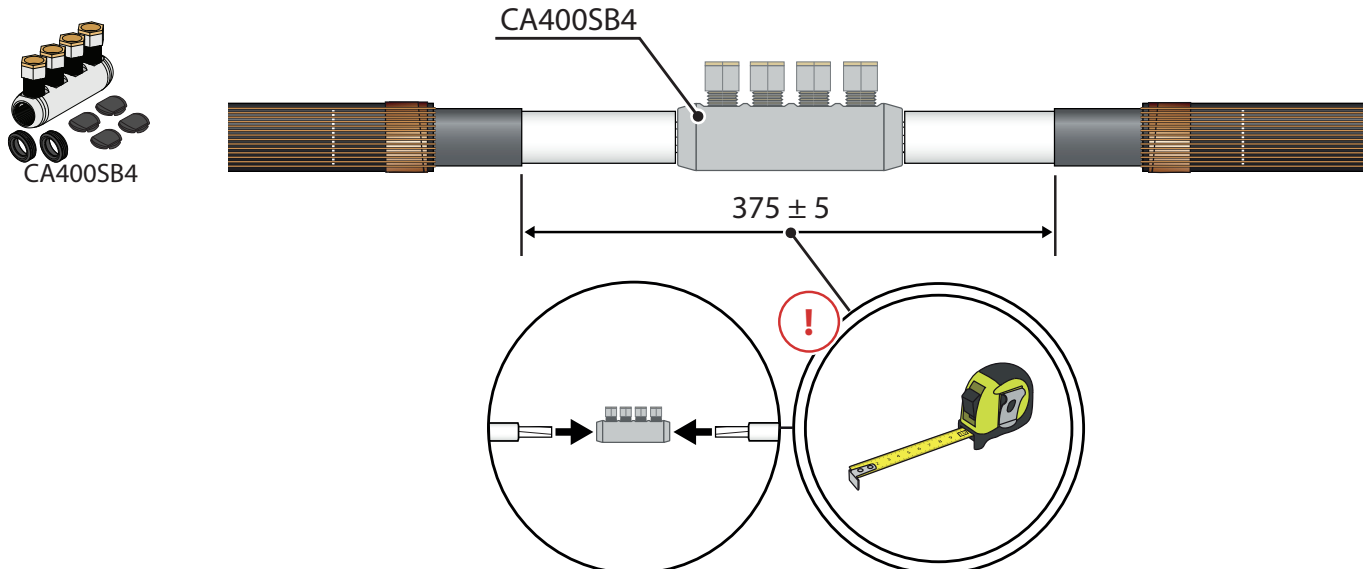
10



11

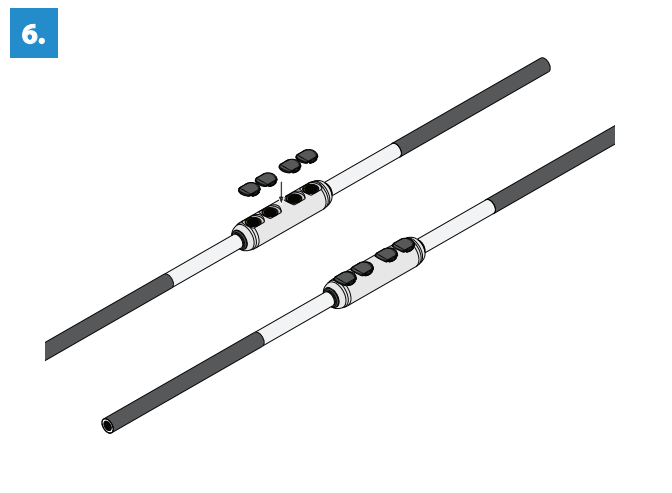
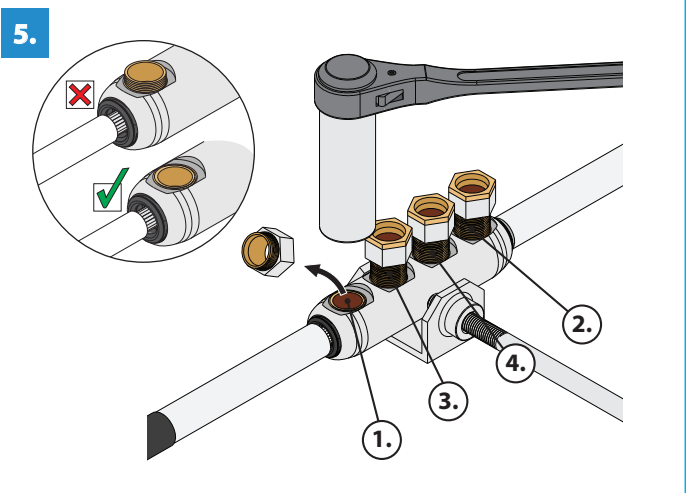
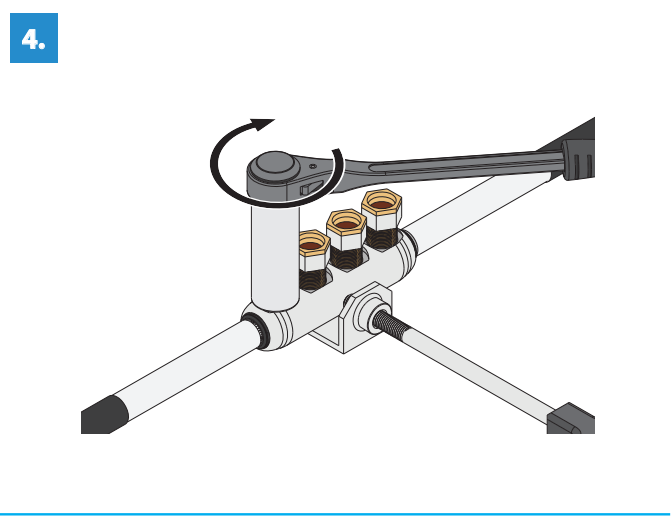
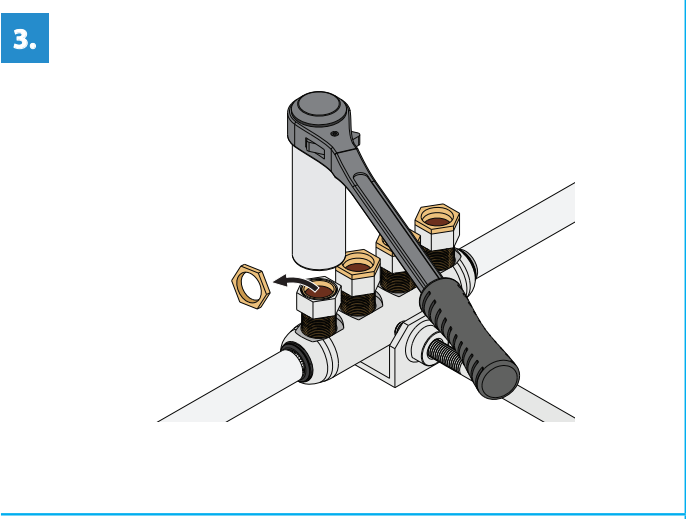
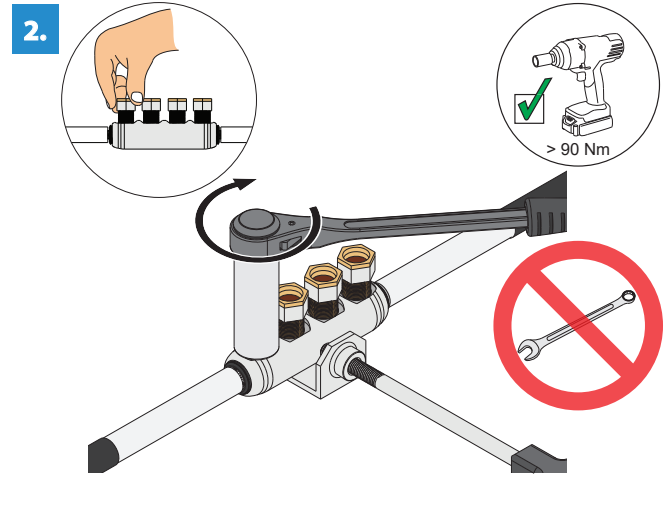
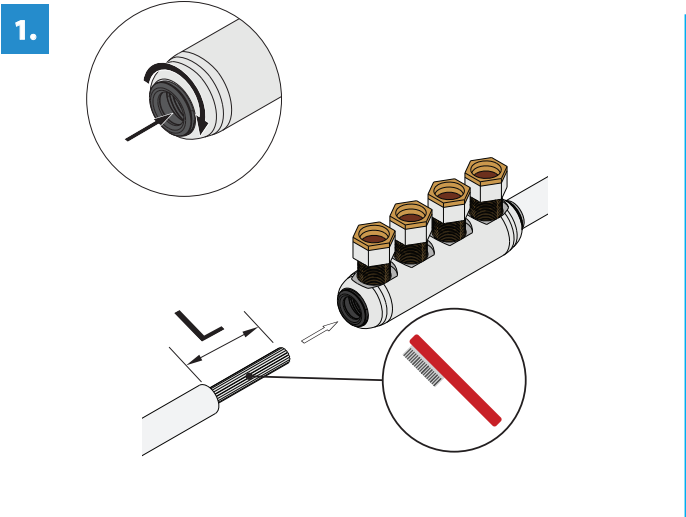


12





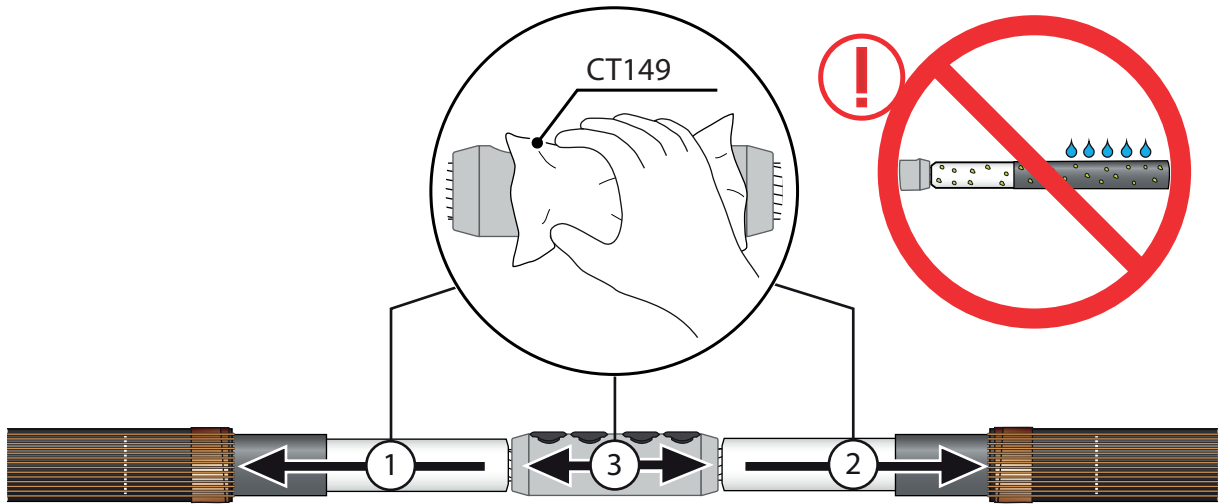
	mm	mm ²	mm ²	mm ²	mm	mm ²	mm
CA400SB4	15.3 - 24.6	185 - 400	90° 185-240 120° 185-240	90° 185-240 120° 185-240	85	185-240	d = 26 L _{min} = 32



14



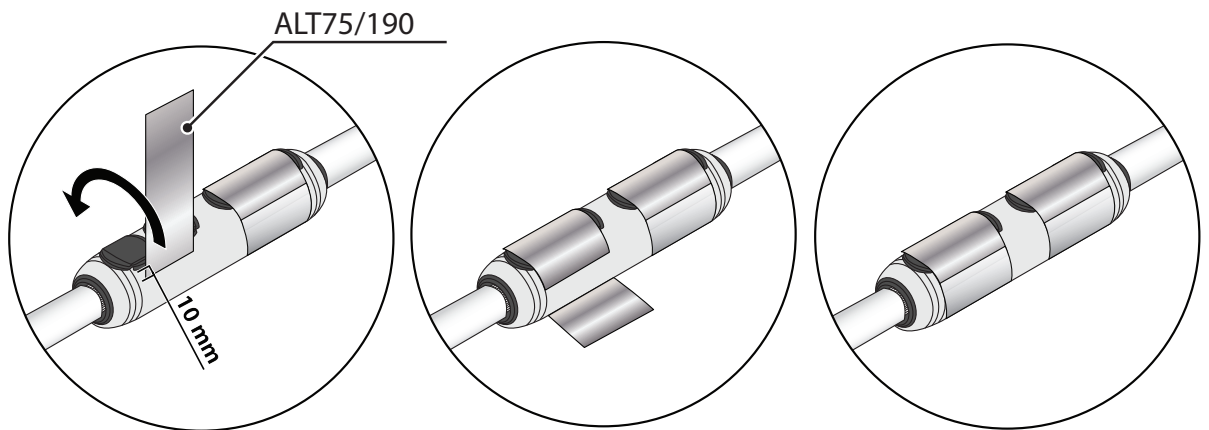
CT149



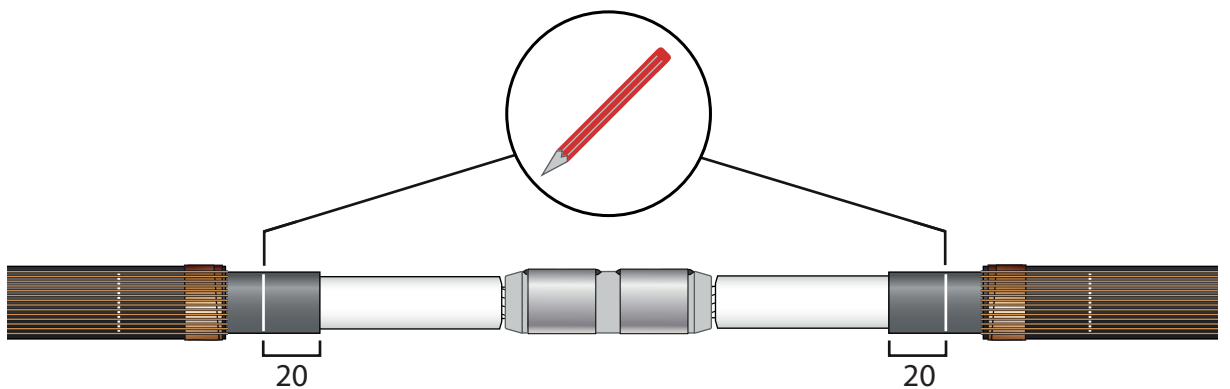
15



ALT75/190



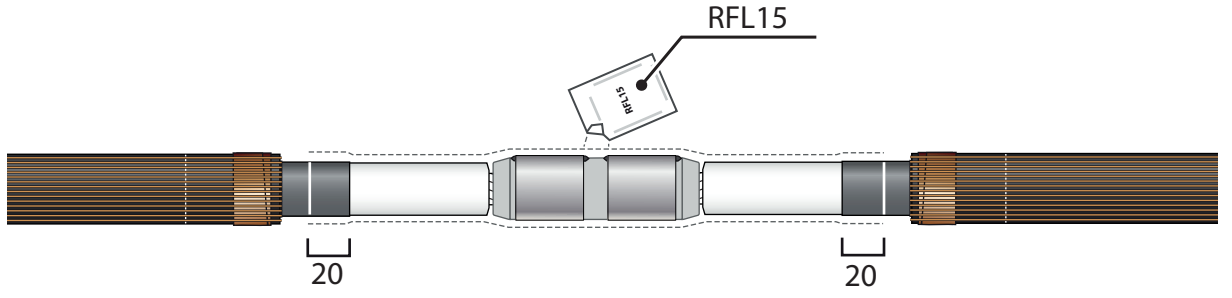
16



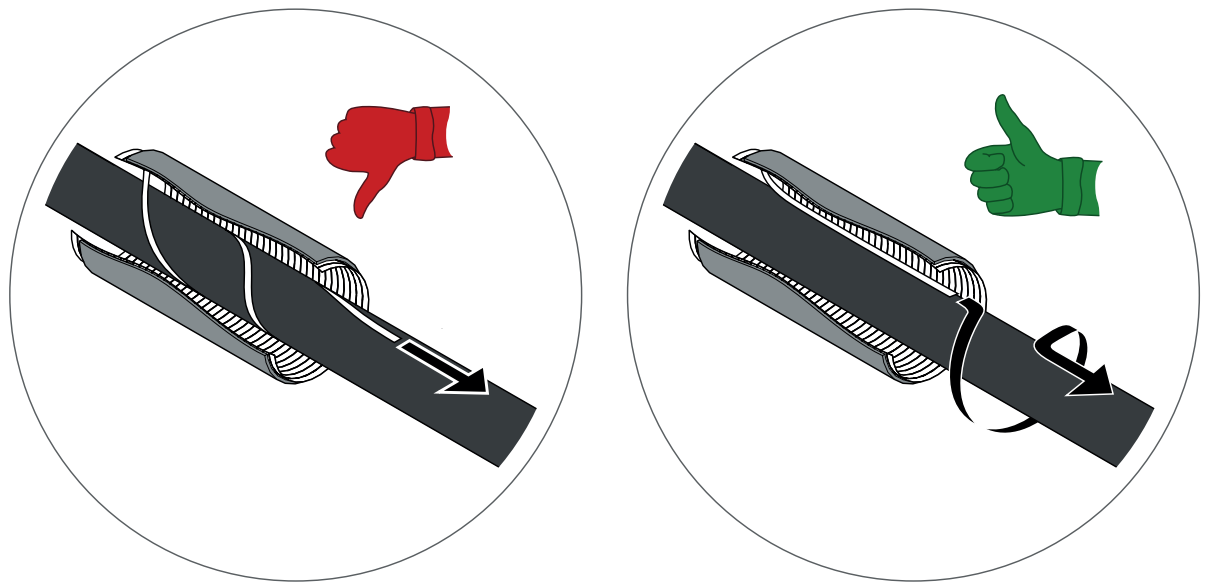
17



RFL15



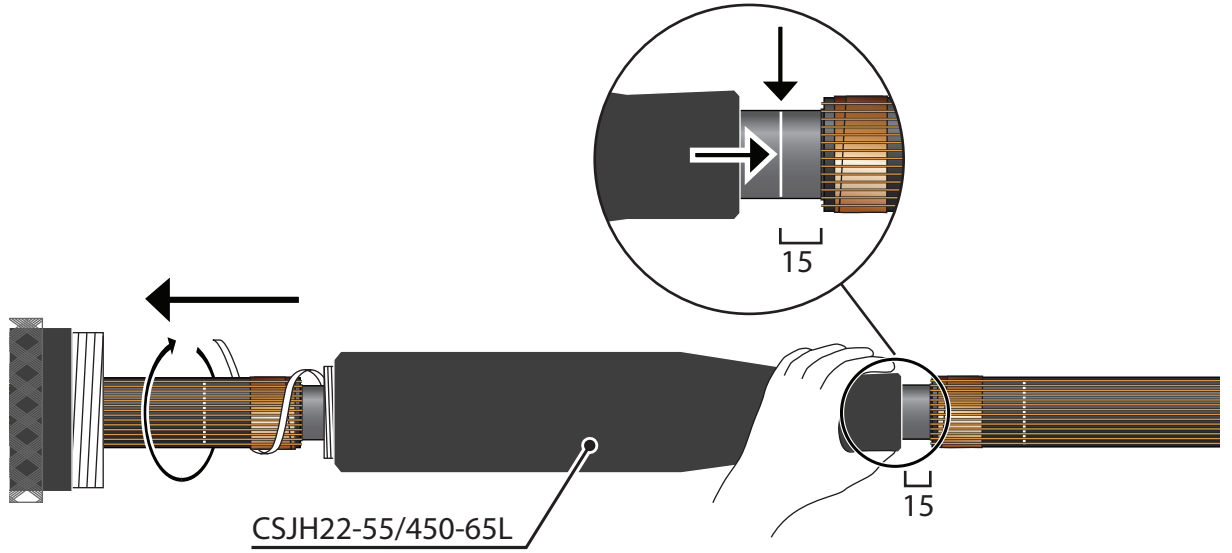
18



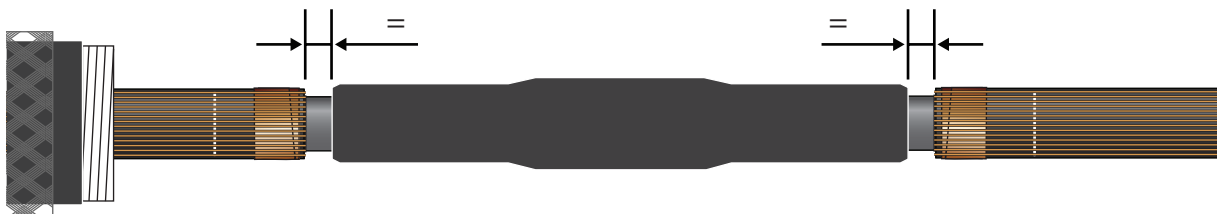
19



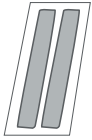
CSJH22-55/450-65L



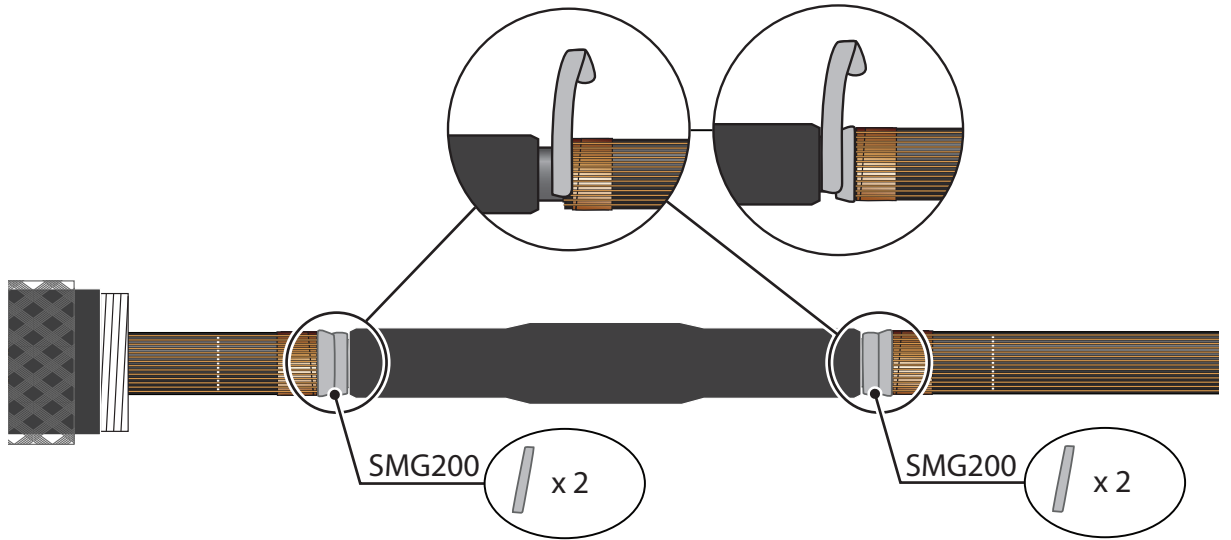
20



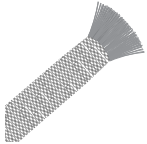
21



SMG200



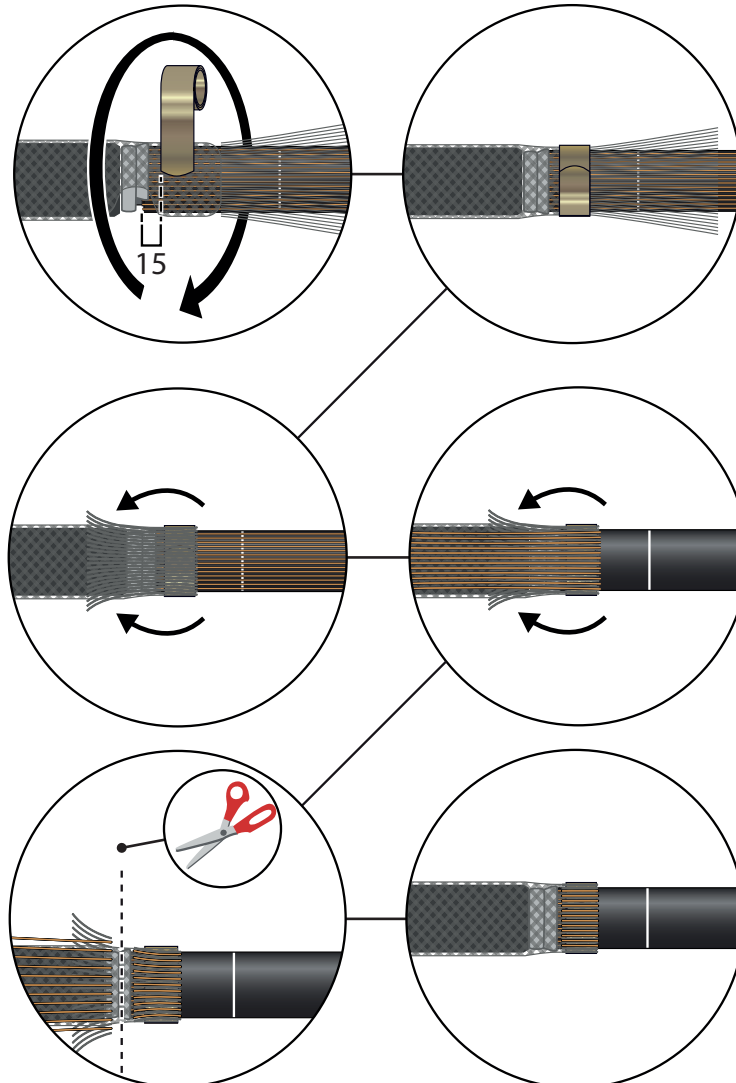
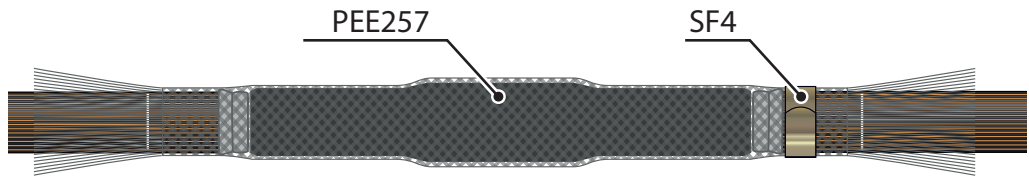
22



PEE257



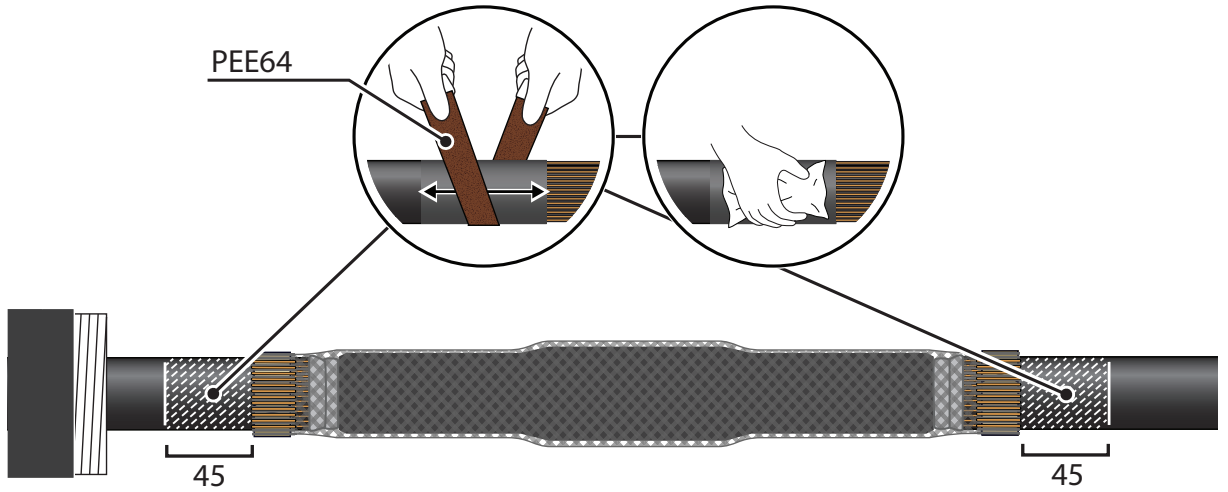
SF4



23



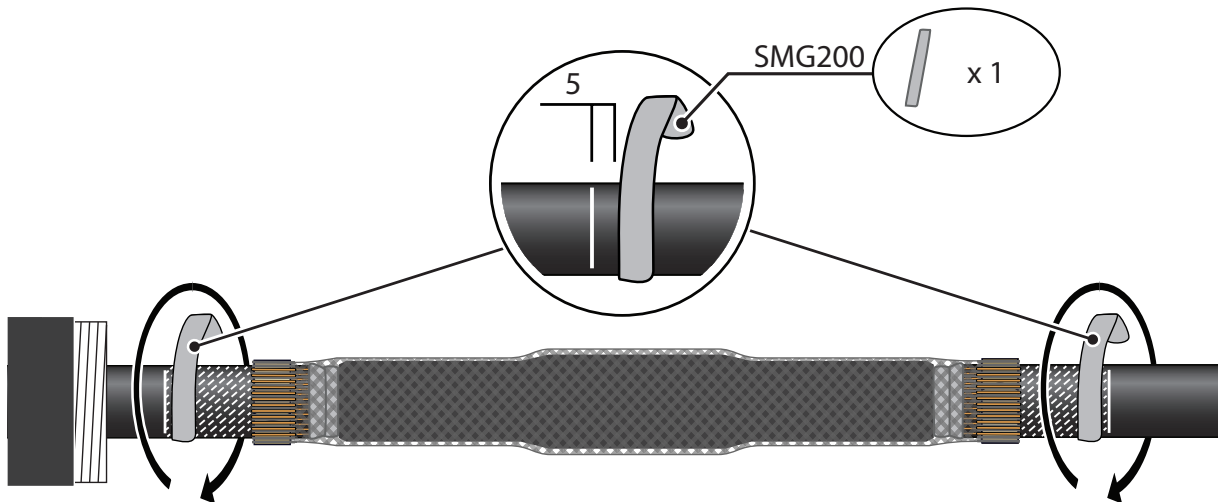
PEE64



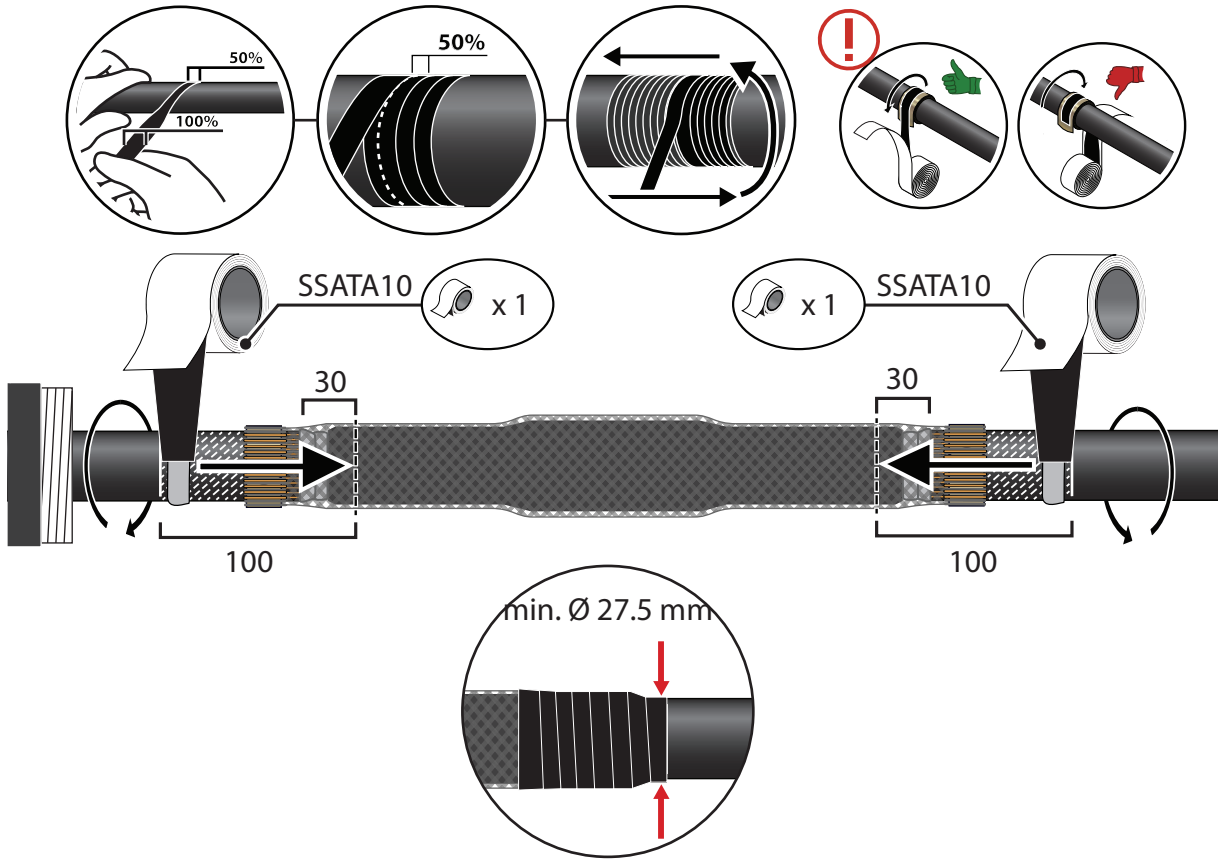
24



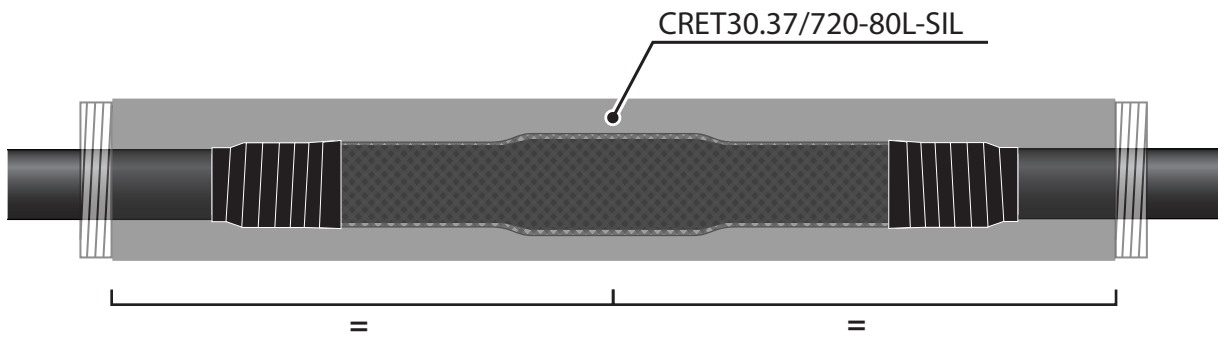
SMG200



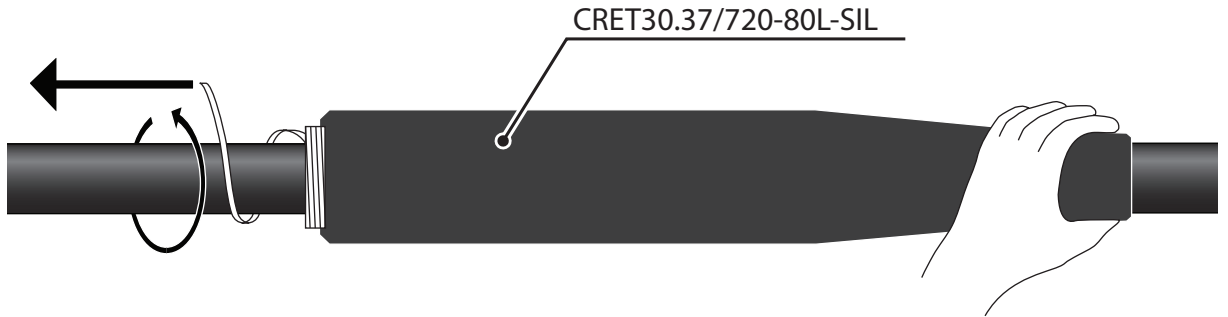
25



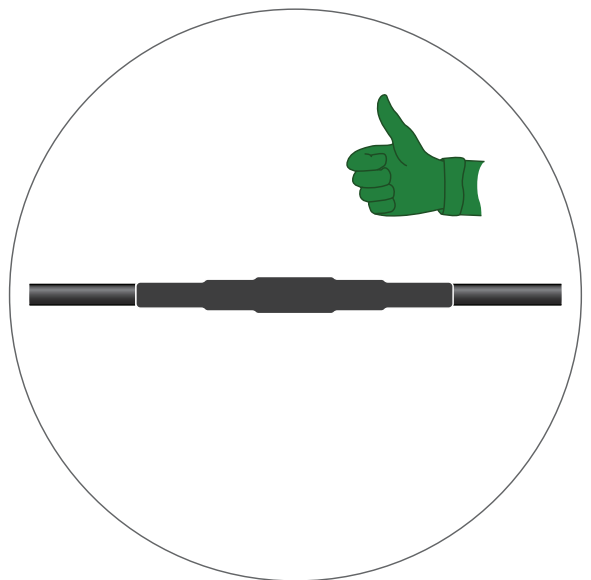
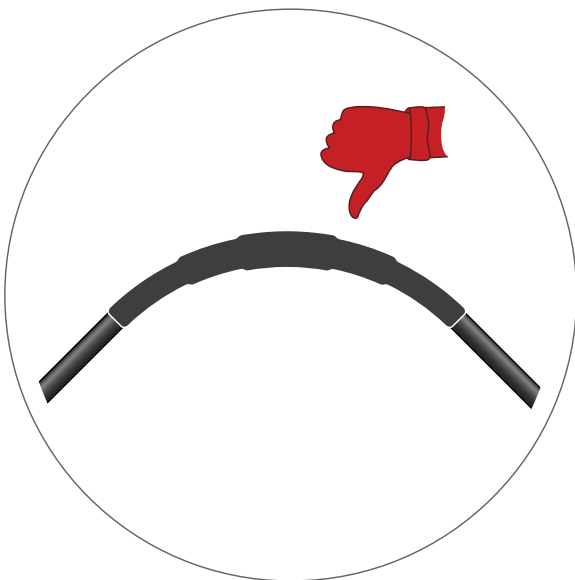
26



27



28



ENSTO