



TREFOIL

CABLE CLEAT

MULTIPLE CABLE TYPE

Features and Benefits

- Provides securing, support and retention of cables in cable ladder, tray or strut systems.
- Designed to hold cables together in a trefoil arrangement and to provide resistance to electromechanical forces during short circuit conditions.
- Manufactured from corrosion resistant non-magnetic 316 stainless steel.
- Complete with LSOH polymeric liners to protect cable sheaths during installation and movement due to electromechanical forces during short circuits.
- Open hinge system allows for easy placement of cables into the cleat prior to tightening.
- Accessible tightening bolt allows for easy tightening with a single tool.
- Wide range 13mm to 128mm.

Construction

Frame:	Non-magnetic corrosion resistant 316 stainless steel
Cable resting base:	LSF Polymeric composite
Liner:	LSF Polymeric composite
Locking hardware:	316 stainless steel M8 or M10 nylon locking nut and bolt

Technical Specifications

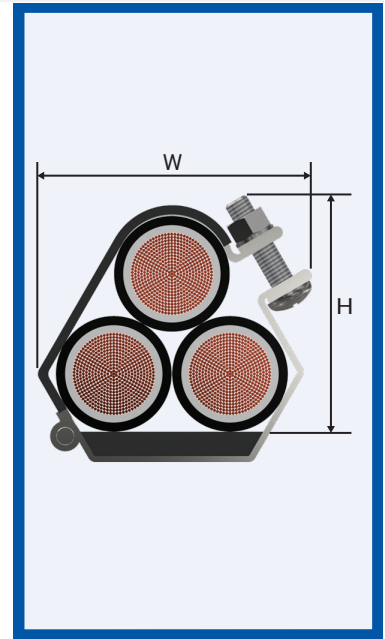
Third party certified to IEC 61914

Resistance to mechanical forces:	230 kA 300 mm spacing
	180 kA 600 mm spacing
	100 kA 1200 mm spacing

Lateral load test:	Average 25kg
Axial load test:	Pass according to IEC 61914
Impact resistance:	Very Heavy
Temperature range:	-40°C to 105°C
Needle flame test:	650°C for 30 sec
UV resistance test:	1,000 hrs

Standards and Certifications

Conformance:	Standard:	Certificate:
Marine DNV-GL	IEC 61914	TAE00004C3



DNV-GL

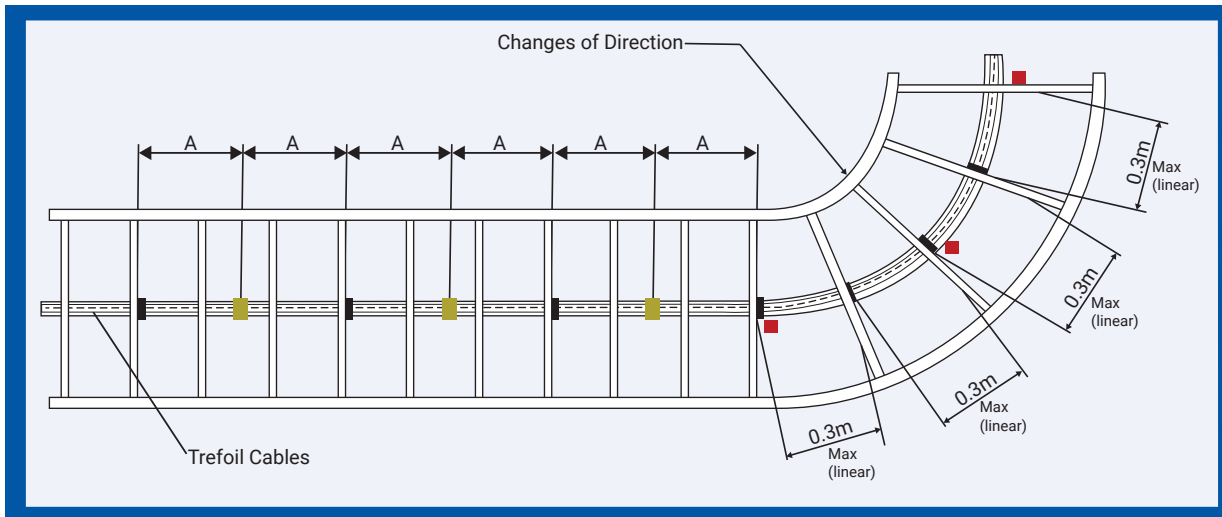
Product Code	Cable Range				Dimensions			
	Min. Dia. mm	Min. Dia. in.	Max. Dia. mm	Max. Dia. in.	Height mm	Height in.	Width mm	Width in.
CC-T1323	13.0	0.51	23.0	0.91	73.0	2.87	68.0	2.68
CC-T2125	21.0	0.83	25.0	0.98	75.0	2.95	72.0	2.83
CC-T2329	23.0	0.91	29.0	1.14	80.0	3.15	79.0	3.11
CC-T2531	25.0	0.98	31.0	1.22	83.0	3.27	82.0	3.23
CC-T2733	27.0	1.06	33.0	1.30	84.0	3.31	85.0	3.35
CC-T2935	29.0	1.14	35.0	1.38	89.0	3.50	90.0	3.54
CC-T3238	32.0	1.26	38.0	1.50	92.0	3.62	96.0	3.78
CC-T3541	35.0	1.38	41.0	1.61	98.0	3.86	100.0	3.94
CC-T3844	38.0	1.50	44.0	1.73	100.0	3.94	106.0	4.17
CC-T4248	42.0	1.65	48.0	1.89	104.0	4.09	113.0	4.45
CC-T4551	45.0	1.77	51.0	2.01	107.0	4.21	120.0	4.72
CC-T4753	47.0	1.85	53.0	2.09	110.0	4.33	122.0	4.80
CC-T4955	49.0	1.93	55.0	2.70	113.0	4.45	125.0	4.92
CC-T5157	51.0	2.01	57.0	2.24	115.0	4.53	127.0	5.00
CC-T5359	53.0	2.09	59.0	2.32	118.0	4.65	135.0	5.31
CC-T5561	55.0	2.17	61.0	2.40	122.0	4.80	138.0	5.43
CC-T5763	57.0	2.24	63.0	2.48	125.0	4.92	141.0	5.55
CC-T5965	59.0	2.32	65.0	2.56	126.0	4.96	145.0	5.71
CC-T6167	61.0	2.40	67.0	2.64	131.0	5.16	148.0	5.83
CC-T6369	63.0	2.48	69.0	2.72	134.0	5.28	153.0	6.02
CC-T6571	65.0	2.56	71.0	2.80	139.0	5.47	155.0	6.10
CC-T6773	67.0	2.64	73.0	2.87	143.0	5.63	156.0	6.14
CC-T6975	69.0	2.72	75.0	2.95	146.0	5.75	161.0	6.34
CC-T7177	71.0	2.80	77.0	3.03	150.0	5.91	164.0	6.46
CC-T7379	73.0	2.87	79.0	3.11	154.0	6.06	166.0	6.54
CC-T7581	75.0	2.95	81.0	3.19	157.0	6.18	170.0	6.69
CC-T7783	77.0	3.03	83.0	3.27	160.0	6.30	174.0	6.85
CC-T7985	79.0	3.11	85.0	3.35	162.0	6.38	178.0	7.01
CC-T8187	81.0	3.19	87.0	3.43	168.0	6.61	181.0	7.13
CC-T8389	83.0	3.27	89.0	3.50	172.0	6.77	185.0	7.25
CC-T8896	88.0	3.46	96.0	3.78	180.0	7.09	195.0	7.68
CC-T96103	96.0	3.78	103.0	4.06	189.0	7.44	203.0	7.99
CC-T103111	103.0	4.06	111.0	4.37	198.0	7.80	206.0	8.11
CC-T111119	111.0	4.39	119.0	4.69	207.0	8.15	215.0	8.46
CC-T119128	119.0	4.69	127.0	5.04	216.0	8.50	223.0	8.78



SELECTION OF TREFOIL CABLE CLEATS

How to select cable cleats

1. IDENTIFY
 - Which type of cable is being used. Single or multi-conductor?
 - What is the outer diameter of the cable?
 - What is the available short circuit current (RMS or Peak) of the cables?
 - If a ground wire is installed in the cleats, identify the outer diameter of the ground wire?
2. THE SYSTEM
 - What is the cable formation, single or trefoil?
 - What type of the cable tray is installed?



Max. Cable Cleat Spacing "A"		Spacing between Conductor Centers mm																			
		IP PEAK (kA)																			
mm	in	23	25	27	29	31	33	35	37	39	41	43	45	47	49	51	53	55	57	59	61
225	8.859	179	187	194	203	209	216	220	229	234	240	246	250	255	261	266	271	276	281	286	291
300	11.81	155	163	168	174	181	187	192	198	203	209	214	215	220	225	230	235	239	244	248	252
450	17.72	128	133	137	144	148	152	157	161	165	170	174	178	180	184	189	192	195	199	202	206
600	23.62	110	115	119	124	128	132	135	139	143	148	150	153	156	160	163	166	169	172	175	178
675	26.57	104	108	113	117	121	124	128	132	135	139	143	147	147	150	154	156	159	162	165	168
900	35.43	89	93	97	102	105	108	110	115	117	121	124	127	128	130	133	135	138	140	143	145