

KRASO®

SIMPLE + TIGHT

KRASO GMBH & CO. KG
 Baumannweg 1 | 46414 Rhede
 ☎ +49(0)2872-9535-0
 📞 +49(0)2872-9535-888
 info@kraso.de | KRASO.de



TECHNICAL DATA SHEET

KRASO® Sealing Insert Universal Multiple - split -

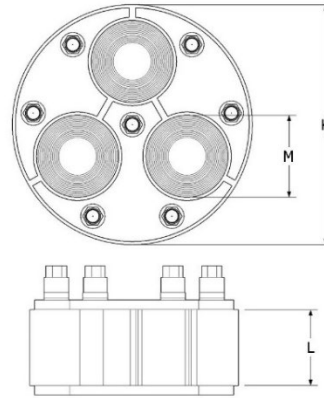
Application area

against pressing and non-pressing water, for simultaneous installation of several media lines/cables in core drilling or casing, split design for retrofit installation, with Torque Control Nut KRASO® DKM.

Product image



Technical drawing



Material

Clamping plates	non-corrosive stainless steel V2A
Bolts	non-corrosive stainless steel V2A
Washers	non-corrosive stainless steel V2A
Nuts	Torque Control Nut KRASO® DKMs
Seal	EPDM 50° +/-5° Shore

Technical details

- Torque Control Nut KRASO® DKM: integrated torque limiter – no torque wrench required
- Awarded with the Quality seal of FHRK e.V.
- Radon tightness IAF tested - meets the requirements for radon precautionary areas according to FHRK leaflet MB 101!
- Axial bending of the media pipes up to 8° possible
- MPA-tested gas- and water pressure tightness up to 2.5 bar
- DafStB waterproof concrete guideline: stress class 1 + 2

Test certificates [In our download area](#)

Size

K	100	125	150	200
M	Stepless ring technology: outer diameter cable from...to...mm			
Version 1:	4 x 6 – 33 mm or blind	6 x 6 – 28 mm or blind	3 x 6 – 52 mm or blind	3 x 6 – 28 mm or blind 4 x 6 – 52 mm or blind
Version 2:	3 x 6 – 18 mm or blind 2 x 6 – 33 mm or blind	-	4 x 6 – 18 mm or blind 6 x 6 – 33 mm or blind	7 x 6 – 18 mm or blind 8 x 6 – 33 mm or blind
Version 3:	8 x 6 – 18 mm or blind	-	6 x 6 – 38 mm or blind	-
Seal	40	40	40	40
Weight	0,7	1,0	1,2	2,3
Item. no.	KDIMUNIG100	KDIMUNIG125	KDIMUNIG150	KDIMUNIG200

•K | core drilling (mm) •M | media lines (mm) •Seal | mm •Weight | in kg

KRASO®

SIMPLE + TIGHT

KRASO GMBH & CO. KG
Baumannweg 1 | 46414 Rhede
☎ +49(0)2872-9535-0
📞 +49(0)2872-9535-888
info@kraso.de | **KRASO.de**



TECHNICAL DATA SHEET

KRASO® Sealing Insert Universal Multiple - split -

Installation situation

