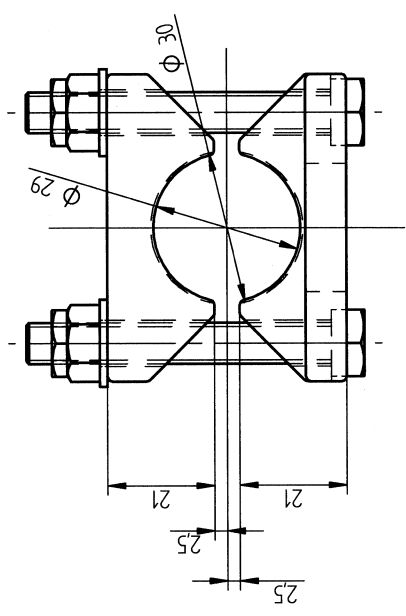
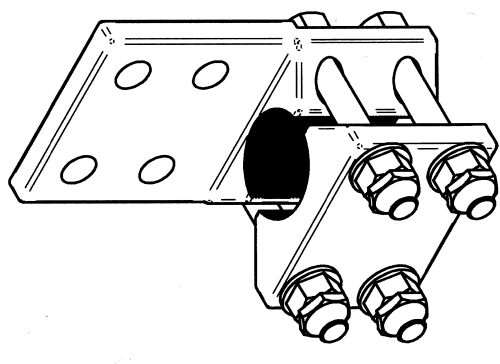
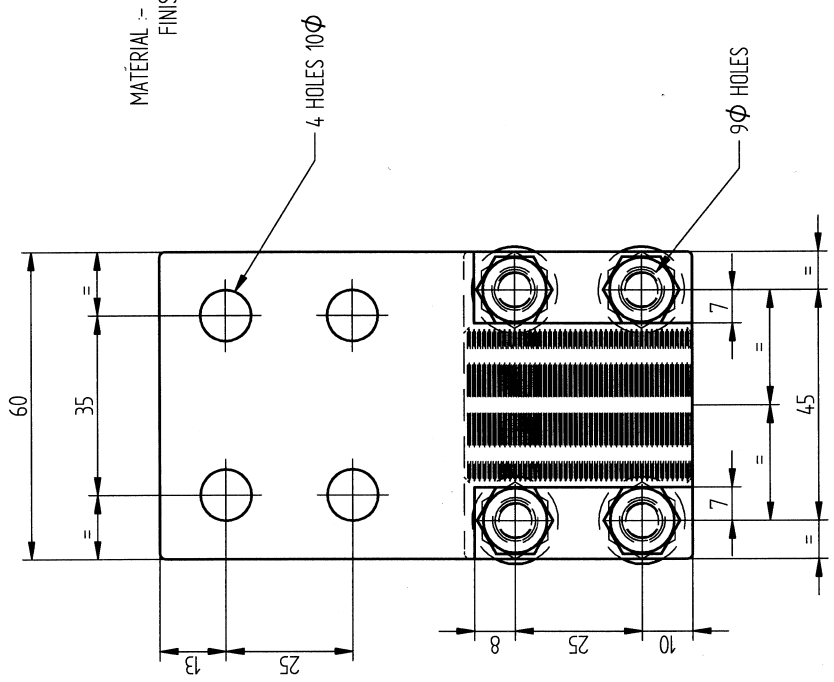


NOTES
 MATERIAL :- BRASS STAMPING / EXTRUSION
 FINISH :- ELECTRO TINNED



| Item No | Part No | Quantity | Description | Material |
|---------|-----------|----------|-----------------|-------------|
| 1 | BLK0013-1 | 1 | Block connector | Brass |
| 2 | BLK0013-2 | 1 | Block connector | Brass |
| 3 | M8 X 60 | 4 | Setscrew | Zinc plated |
| 4 | M8 P/W | 4 | Plain washer | Zinc plated |
| 5 | M8 F/N | 4 | Full nut | Zinc plated |
| 6 | M8 L/N | 4 | Lock nut | Zinc plated |

| | | | | |
|--|--|-----------|-------------|--|
| DRAWN | | NAME | DATE | BTRAC LTD BRITISH TRANSFORMER COMPONENTS |
| ENG APPR | | DSF | 10/12/2010 | |
| TITLE M3 TERMINAL CONNECTOR TO SUIT 30MM DIAMETER CABLE | | | | |
| UNLESS OTHERWISE SPECIFIED DIMENSIONS ARE IN MILLIMETERS | | SIZE | DWG NO | REV |
| TOLERANCES UNLESS OTHERWISE STATED UN-MACHINED CASTINGS +-2 UN-MACHINED STAMPINGS +-1 CUT-OFF LENGTHS +-1 MACHINED DIMENSIONS +-02 FABRICATION DIMENSIONS +-3 | | A3 | BLK0013 | 0 |
| | | FILE NAME | BLK0013.dft | |
| | | SCALE | 1:1 | WEIGHT: TBA |

REVISION NOTES