

KRF tube terminals (NS)

For heavy duty applications



KRF tube terminals (NS) are high-quality copper tube terminals, technically identical to our standard KRF terminals but without an inspection hole. They are designed for applications where an inspection hole is not required, while maintaining the same reliable performance and fit.

The KRF (NS) series is UL certified (95–300 mm²) and DNV certified, making it suitable for demanding marine and offshore environments, as well as applications within the railway industry, EV charging infrastructure, and electrified bus and truck systems—where certified and reliable connections are essential.



ELPRESS

KRF tube terminals (NS)

Our KRF (NS) tube terminals are designed for applications where a closed barrel is preferred. **NS stands for No See**, meaning the terminal has no inspection hole. A reliable choice for professional installations where performance and durability matter.

Material: Cu 99.95%, tin plated Cu/Sn.

For stranded (class 2), multi-stranded (class 5) and very flexible (class 6) Cu conductors according to IEC 60228.

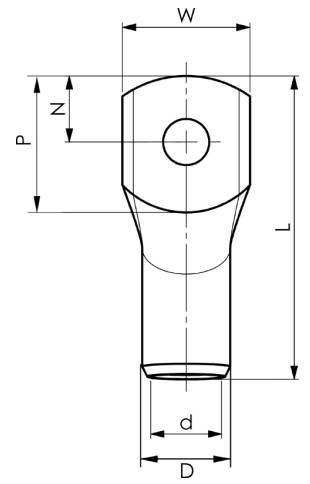
For class 5 and class 6 conductors Elpress recommends the Dual system. UL approved (KRF95-300 mm²), DNV approved (16-800 mm²).

Example of marking KRF: 17 (neck) Elpress logotype 70 10F (palm)17 = Die No. 70 = mm² 10 = palm hole for M10 F = type KRF for class 2, 5 and 6 conductors.



t = palm thickness
s = strip length

mm ² (Cu)	AWG Cu	Name	Screw	W mm	d	D	N	P	L	t	s	Pcs/pack	Die
16	6	KRF16-6NS	M6	13	6	9	8	17	34	2,9	11	100	9
16	6	KRF16-8NS	M8	13	6	9	8	17	34	2,9	11	100	9
16	6	KRF16-10NS	M10	16	6	9	10	21	38	2,3	11	100	9
16	6	KRF16-12NS	M12	22	6	9	12	25	47	1,6	11	100	9
25	4	KRF25-6NS	M6	16	8	11	8	18	39	2,9	13	100	11
25	4	KRF25-8NS	M8	16	8	11	8	18	39	2,9	13	100	11
25	4	KRF25-10NS	M10	17	8	11	10	21	42	2,9	13	100	11
25	4	KRF25-12NS	M12	22	8	11	12	25	47	2,1	13	100	11
35	2	KRF35-6NS	M6	18	9	13	10	21	47	3,9	16	100	13
35	2	KRF35-8NS	M8	18	9	13	10	21	47	3,9	16	100	13
35	2	KRF35-10NS	M10	18	9	13	10	21	47	3,9	16	100	13
35	2	KRF35-12NS	M12	22	9	13	12	26	52	3,2	16	100	13
50	1/0	KRF50-6NS	M6	21	11	14,5	11	22	50	3,4	19	100	14,5
50	1/0	KRF50-8NS	M8	21	11	14,5	11	22	50	3,4	19	100	14,5
50	1/0	KRF50-10NS	M10	21	11	14,5	11	22	50	3,4	19	100	14,5
50	1/0	KRF50-12NS	M12	21	11	14,5	12	25	53	3,4	19	100	14,5
70	2/0	KRF70-8NS	M8	25	13	17	11	22	55	3,9	22	50	17
70	2/0	KRF70-10NS	M10	25	13	17	11	22	55	3,9	22	50	17
70	2/0	KRF70-12NS	M12	25	13	17	12	25	58	3,9	22	50	17
95	4/0	KRF95-8NS	M8	29	15	20	15	31	69	4,9	25	50	20
95	4/0	KRF95-10NS	M10	29	15	20	15	31	69	4,9	25	50	20
95	4/0	KRF95-12NS	M12	29	15	20	15	31	69	4,9	25	50	20
95	4/0	KRF95-16NS	M16	29	15	20	15	31	69	4,9	25	50	20
120	250	KRF120-10NS	M10	32	17	22	15	31	73	4,9	27	25	22
120	250	KRF120-12NS	M12	32	17	22	15	31	73	4,9	27	25	22
120	250	KRF120-16NS	M16	32	17	22	15	31	73	4,9	27	25	22
150	300	KRF150-12NS	M12	36	19	25	15	31	80	5,9	32	25	25
150	300	KRF150-16NS	M16	36	19	25	15	31	80	5,9	32	25	25
185	350	KRF185-12NS	M12	39	21	27	15	31	86	5,9	37	20	27
240	500	KRF240A-12NS	M12	42	22,5	30	19	39	96	6,4	37	10	30
240	500	KRF240A-16NS	M16	42	22,5	30	19	39	96	6,4	37	10	30
400	750	KRF400A-12NS	M12	56	30	38	15	40	111	7,8	52	10	38
400	750	KRF400A-16NS	M16	56	30	38	20	40	111	7,8	52	10	38
400	750	KRF400A-20NS	M20	56	30	38	23	48	119	7,8	52	10	38
630	1250	KRF630-00NS		75	39	53		80	195	13,8	80	1	53



Go to the product category on our website and click on the connection you want. Then use our **Tool Search** to find out which tool and which dies are suitable.

